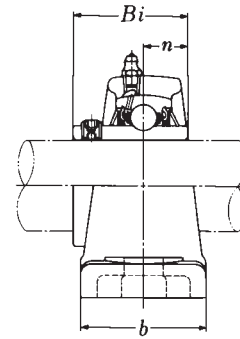
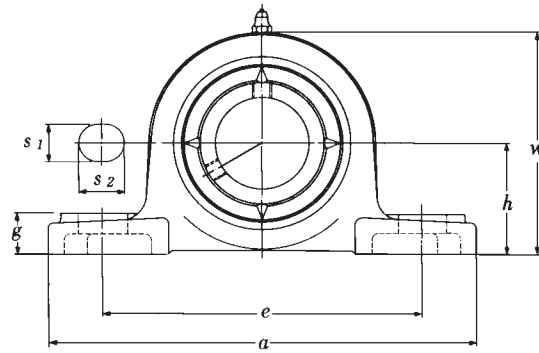


**NTN**  
**SERIES**  
**UCP2**  
**SET SCREW**  
**TYPE**

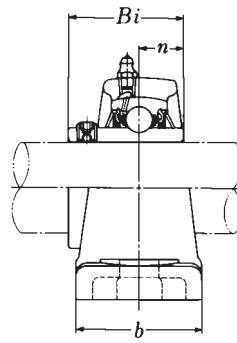
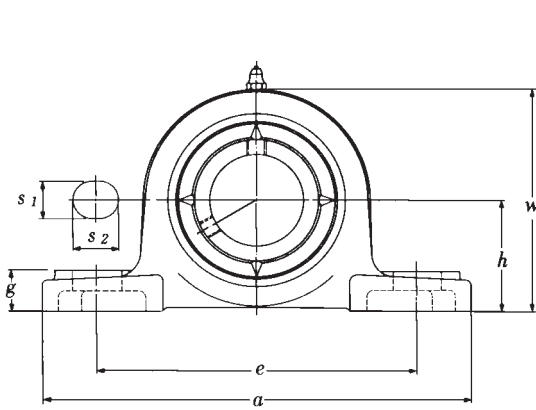
Units: **Millimeters**  
**INCHES**



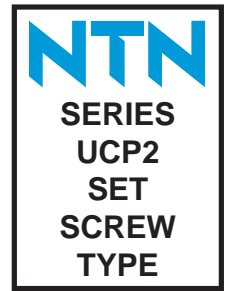
Shaft Dia.	Complete Pillow Block Number	Nominal Dimensions										Bolt Size	Housing Number	Bearing Number	Basic Load Ratings (lbs)	
		<i>h</i>	<i>a</i>	<i>e</i>	<i>b</i>	<i>s</i> <sub>1</sub>	<i>s</i> <sub>2</sub>	<i>g</i>	<i>w</i>	<i>Bi</i>	<i>n</i>				Dynamic <i>C</i>	Static <i>C</i> <sub>0</sub>
12 ½	UCP201D1 UCP201-008T	30.2 1 ⅜	127 5	95 3 ¾	38 1 ½	13 ½	16 ⅝	14 ⅞	62 2 ⅞	31 1.220	12.7 .500	M10 ⅜	P203D1 P203T	UC201D1 UC201-008D1	2,890	1,500
15 ⅞ ⅝	UCP202D1 UCP202-009T UCP202-010T	30.2 1 ⅜	127 5	95 3 ¾	38 1 ½	13 ½	16 ⅝	14 ⅞	62 2 ⅞	31 1.220	12.7 .500	M10 ⅜	P203D1 P203T P203T	UC202D1 UC202-099D1 UC202-010D1	2,890	1,500
17 1 ¼	UCP203D1 UCP203-011T	30.2 1 ⅜	127 5	95 3 ¾	38 1 ½	13 ½	16 ⅝	14 ⅞	62 2 ⅞	31 1.220	12.7 .500	M10 ⅜	P203D1 P203T	UC203D1 UC203-011D1	2,890	1,500
20 ¾	UCP204D1 UCP204-012T	33.3 1 ⅝	127 5	95 3 ¾	38 1 ½	13 ½	16 ⅝	14 ⅞	65 2 ⅞	31 1.220	12.7 .500	M10 ⅜	P204D1 P204T	UC204D1 UC204-012D1	2,890	1,500
25 1 ⅜ ⅞ 1 ⅝ 1	UCP205D1 UCP205-013T UCP205-014T UCP205-015T UCP205-100T	36.5 1 ⅞	140 5 ½	105 4 ⅞	38 1 ½	13 ½	16 ⅝	15 1 ½	71 2 ⅝	34 1.339	14.3 .563	M10 ⅜	P205D1 P205T P205T P205T P205T	UC205D1 UC205-013D1 UC205-014D1 UC205-015D1 UC205-100D1	3,150	1,770
30 1 ⅜ 1 ½ 1 ⅝ 1 ¾	UCP206D1 UCP206-101T UCP206-102T UCP206-103T *UCP206-104T	42.9 1 1 ⅜	165 6 ½	121 4 ¾	48 1 ⅞	17 2 ½	20 2 ⅝	17 2 ½	83 3 ⅝	38.1 1.500	15.9 .626	M14 ½	P206D1 P206T P206T P206T P206T	UC206D1 UC206-101D1 UC206-102D1 UC206-103D1 UC206-104D1	4,400	2,540
35 1 ¼ 1 ⅝ 1 ¾ 1 ⅞	UCP207D1 UCP207-104T UCP207-105T UCP207-106T *UCP207-107T	47.6 1 ⅞	167 6 ⅞	127 5	48 1 ⅞	17 2 ½	20 2 ⅝	18 2 ¾	93 3 2 ½	42.9 1.689	17.5 .689	M14 ½	P207D1 P207T P207T P207T P207T	UC207D1 UC207-104D1 UC207-105D1 UC207-106D1 UC207-107D1	5,750	3,440
40 1 ½ 1 ⅞	UCP208D1 UCP208-108T UCP208-109T	49.2 1 1 ⅝	184 7 ¼	137 5 1 ½	54 2 ⅞	17 2 ½	20 2 ⅝	18 2 ¾	98 3 2 ⅞	49.2 1.937	19 .748	M14 ½	P208D1 P208T P208T	UC208D1 UC208-108D1 UC208-109D1	6,550	4,000
45 1 ⅝ 1 1 ¼ 1 ¾	UCP209D1 UCP209-110T UCP209-111T UCP209-112T	54 2 ⅞	190 7 1 ½	146 5 ¾	54 2 ⅞	17 2 ½	20 2 ⅝	20 2 ⅝	106 4 ⅞	49.2 1.937	19 .748	M14 ½	P209D1 P209T P209T P209T	UC209D1 UC209-110D1 UC209-111D1 UC209-112D1	7,350	4,590
50 1 1 ⅜ 1 ⅞ 1 1 ⅝ 2	UCP210D1 UCP210-113T UCP210-114T UCP210-115T UCP210-200T	57.2 2 ¼	206 8 ⅞	159 6 ¼	60 2 ¾	20 2 ⅝	23 2 ⅞	21 1 ¾	114 4 ½	51.6 2.031	19 .748	M16 ⅝	P210D1 P210T P210T P210T P210T	UC210D1 UC210-113D1 UC210-114D1 UC210-115D1 UC210-200D1	7,900	5,220
55 2 2 1 ⅜ 2 ½ 2 ⅞	UCP211D1 UCP211-200T UCP211-201T UCP211-202T UCP211-203T	63.5 2 ½	219 8 ⅞	171 6 2 ⅜	60 2 ¾	20 2 ⅝	23 2 ⅞	23 2 ⅞	126 4 3 ⅜	55.6 2.189	22.2 .874	M16 ⅝	P211D1 P211T P211T P211T P211T	UC211D1 UC211-200D1 UC211-201D1 UC211-202D1 UC211-203D1	9,750	6,570
60 2 ¼ 2 ⅝ 2 ⅞	UCP212D1 UCP212-204T UCP212-206T *UCP212-207T	69.8 2 ¾	241 9 ½	184 7 ¼	70 2 ¾	20 2 ⅝	23 2 ⅞	25 2 ⅞	138 5 ⅞	65.1 2.563	25.4 1.000	M16 ⅝	P212D1 P212T P212T P212T	UC212D1 UC212-204D1 UC212-206D1 UC212-207D1	11,800	8,100

\* Unit with notched set screw as standard.

Continued next page ...



Units: **Millimeters**  
**INCHES**



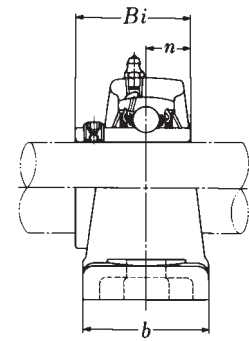
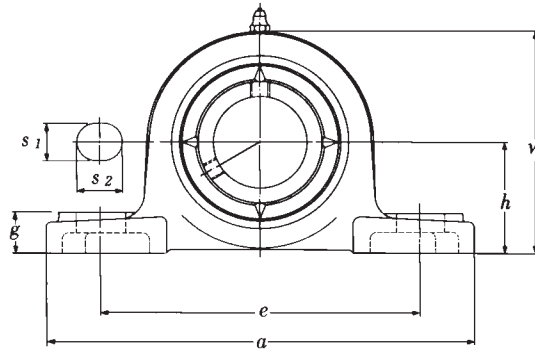
### PILLOW BLOCKS - CAST HOUSING

Shaft Dia.	Complete Pillow Block Number	Nominal Dimensions										Bolt Size	Housing Number	Bearing Number	Basic Load Ratings (lbs)	
		<i>h</i>	<i>a</i>	<i>e</i>	<i>b</i>	<i>s</i> <sub>1</sub>	<i>s</i> <sub>2</sub>	<i>g</i>	<i>w</i>	<i>Bi</i>	<i>n</i>				<i>C</i>	<i>C</i> <sub>0</sub>
65 2 1/2	UCP213D1 UCP213-208T	76.2 3	265 10 7/16	203 8	70 2 3/4	25 3 1/2	28 1 3/2	27 1 1/16	151 5 15/16	65.1 2.563	25.4 1.000	M20 3/4	P213D1 P213T	UC213D1 UC213-208D1	12,900	9,000
70 2 11/16 2 3/4	UCP214D1 UCP214-211T UCP214-212T	79.4 3 1/8	266 10 15/32	210 8 9/32	72 2 27/32	25 3 1/2	28 1 3/2	27 1 1/16	157 6 3/16	74.6 2.937	30.2 1.189	M20 3/4	P214D1 P214T P214T	UC214D1 UC214-211D1 UC214-211D1	14,000	9,900
75 2 15/16 3	UCP215D1 UCP215-215T UCP215-300T	82.6 3 1/4	275 10 13/16	217 8 17/32	74 2 29/32	25 3 1/2	28 1 3/2	28 1 3/2	163 6 13/32	77.8 3.063	33.3 1.311	M20 3/4	P215D1 P215T P215T	UC215D1 UC215-215D1 UC215-300D1	14,900	11,100
80 3 1/8	UCP216D1 UCP216-302T	88.9 3 1/2	292 11 1/2	232 9 1/8	78 3 1/16	25 3 1/2	28 1 3/2	30 1 3/16	175 6 7/8	82.6 3.252	33.3 1.311	M20 3/4	P216D1 P216T	UC216D1 UC216-302D1	16,300	11,900
85 3 1/4	UCP217D1 UCP217-304T	95.2 3 3/4	310 12 7/32	247 9 23/32	83 3 9/32	25 3 1/2	28 1 3/2	32 1 1/4	187 7 3/8	85.7 3.374	34.1 1.343	M20 3/4	P217D1 P217T	UC217D1 UC217-304D1	18,700	14,400
90 3 1/2	UCP218D1 UCP218-308T	101.6 4	327 12 7/8	262 10 5/16	88 3 15/32	27 1 1/16	30 1 3/16	33 1 5/16	200 7 7/8	96 3.780	39.7 1.563	M22 7/8	P218D1 P218T	UC218D1 UC218-308D1	21,600	16,100

\* Unit with notched set screw as standard.



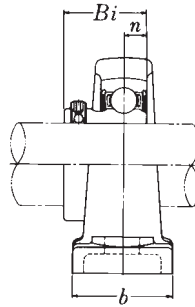
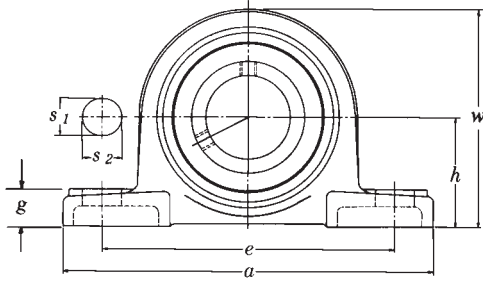
Units: Millimeters  
INCHES



### PILLOW BLOCKS - CAST HOUSING

Shaft Dia.	Complete Pillow Block Number	Nominal Dimensions										Bolt Size	Housing Number	Bearing Number	Basic Load Ratings (lbs)	
		<i>h</i>	<i>a</i>	<i>e</i>	<i>b</i>	<i>s<sub>1</sub></i>	<i>s<sub>2</sub></i>	<i>g</i>	<i>w</i>	<i>Bi</i>	<i>n</i>				Dynamic <i>C</i>	Static <i>C<sub>0</sub></i>
25 7/8 1 1/16 1	UCP305D1 UCP305-014T UCP305-015T UCP305-100T	45 1 25/32	175 6 7/8	132 5 3/16	45 1 25/32	17 2 1/32	20 2 5/32	15 1 9/32	85 3 1 1/2	38 1.496	15 .591	M14 1/2	P305D1 P305T P305T P305T	UC305D1 UC305-014D1 UC305-015D1 UC305-100D1	4,750	2,460
30 1 1/8 1 3/16	UCP306D1 UCP306-102T UCP306-103T	50 1 31/32	180 7 3/32	140 5 1/2	50 1 31/32	17 2 1/32	20 2 5/32	18 2 3/32	95 3 3/4	43 1.693	17 .669	M14 1/2	P306D1 P306T P306T	UC306D1 UC306-102D1 UC306-102D1	6,000	3,400
35 1 1/4 1 5/16 1 3/8 1 7/16	UCP307D1 UCP307-104T UCP307-105T UCP307-106T UCP307-107T	56 2 7/32	210 8 9/32	160 6 5/16	56 2 7/32	17 2 1/32	25 3 1/32	20 2 5/32	106 4 3/16	48 1.890	19 .748	M14 1/2	P307D1 P307T P307T P307T P307T	UC307D1 UC307-104D1 UC307-105D1 UC307-106D1 UC307-107D1	7,500	4,300
40 1 1/2	UCP308D1 UCP308-108T	60 2 3/8	220 8 21/32	170 6 11/16	60 2 3/8	17 2 1/32	27 1 1/16	22 7/8	116 4 9/16	52 2.047	19 .748	M14 1/2	P308D1 P308T	UC308D1 UC308-108D1	9,150	5,400
45 1 5/8 1 11/16 1 3/4	UCP309D1 UCP309-110T UCP309-111T UCP309-112T	67 2 5/8	245 9 21/32	190 7 15/32	67 2 5/8	20 2 5/32	30 1 3/16	24 1 9/16	129 5 3/32	57 2.244	22 .866	M16 5/8	P309D1 P309T P309T P309T	UC309D1 UC309-110D1 UC309-111D1 UC309-112D1	11,900	7,200
50 1 7/8 1 15/16	UCP310D1 UCP310-114T UCP310-115T	75 2 5/16	275 10 13/16	212 8 11/32	75 2 5/16	20 2 5/32	35 1 3/8	27 1 1/16	143 5 5/8	61 2.402	22 .866	M16 5/8	P310D1 P310T P310T	UC310D1 UC310-114D1 UC310-115D1	13,900	8,660
55 2 2 1/8 2 3/16	UCP311D1 UCP311-200T UCP311-202T UCP311-203T	80 3 3/32	310 12 7/32	236 9 9/32	80 3 5/32	20 2 5/32	38 1 1/2	30 1 3/16	154 6 1/16	66 2.598	25 .984	M16 5/8	P311D1 P311T P311T P311T	UC311D1 UC311-200D1 UC311-202D1 UC311-203D1	16,100	10,100
60 2 1/4 2 3/8 2 7/16	UCP312D1 UCP312-204T UCP312-206T UCP312-207T	85 3 11/32	330 13	250 9 27/32	85 3 11/32	25 3 1/32	38 1 1/2	32 1 1/4	165 6 1/2	71 2.795	26 1.024	M20 3/4	P312D1 P312T P312T P312T	UC312D1 UC312-204D1 UC312-206D1 UC312-207D1	18,400	11,700
65 2 1/2	UCP313D1 UCP313-208T	90 3 17/32	340 13 3/8	260 10 1/4	90 3 17/32	25 3 1/32	38 1 1/2	33 1 5/16	176 6 15/16	75 2.953	30 1.181	M20 3/4	P313D1 P313T	UC313D1 UC313-208D1	20,800	13,400
70 2 11/16 2 3/4	UCP314D1 UCP314-211T UCP314-212T	95 3 3/4	360 14 3/16	280 11 1/32	90 3 17/32	27 1 1/16	40 1 9/16	35 1 3/8	187 7 3/8	78 3.071	33 1.299	M22 7/8	P314D1 P314T P314T	UC314D1 UC314-211D1 UC314-212D1	23,400	15,300
75 2 5/16 3	UCP315D1 UCP315-215T UCP315-300T	100 3 5/16	380 14 31/32	290 11 13/32	100 3 5/16	27 1 1/16	40 1 9/16	35 1 3/8	198 7 25/32	82 3.228	32 1.260	M22 7/8	P315D1 P315T P315T	UC315D1 UC315-215D1 UC315-215D1	25,500	17,400
80 3 1/8 3 3/16	UCP316D1 UCP316-302T UCP316-303T	106 4 3/16	400 15 3/4	300 11 13/16	110 4 11/32	27 1 1/16	40 1 9/16	40 1 9/16	210 8 9/32	86 3.386	34 1.339	M22 7/8	P316D1 P316T P316T	UC316D1 UC316-302D1 UC316-303D1	27,600	19,500
85 3 1/4	UCP317D1 UCP317-304T	112 4 13/32	420 16 17/32	320 12 19/32	110 4 11/32	33 1 5/16	45 1 25/32	40 1 9/16	220 8 21/32	96 3.780	40 1.575	M27 1	P317D1 P317T	UC317D1 UC317-304D1	29,800	21,800
90 3 7/16 3 1/2	UCP318D1 UCP318-307T UCP318-308T	118 4 21/32	430 16 15/16	330 13	110 4 11/32	33 1 5/16	45 1 25/32	45 1 25/32	235 9 1/4	96 3.780	40 1.575	M27 1	P318D1 P318T P318T	UC318D1 UC318-307D1 UC318-308D1	32,000	24,100
95 3 3/4	UCP319D1 UCP319-312T	125 4 29/32	470 18 1/2	360 14 3/16	120 4 23/32	36 1 13/32	50 1 31/32	45 1 25/32	250 9 27/32	103 4.055	41 1.614	M30 1 1/8	P319D1 P319T	UC319D1 UC319-312D1	34,500	26,600
100 3 5/16 4	UCP320D1 UCP320-315T UCP320-400T	140 5 1/2	490 19 9/32	380 14 31/32	120 4 23/32	36 1 13/32	50 1 31/32	50 1 31/32	275 10 13/16	108 4.252	42 1.654	M30 1 1/8	P320D1 P320T P320T	UC320D1 UC320-315D1 UC320-400D1	39,000	31,500
105	UCP321D1	140	490	380	120	36	50	50	280	112	44	M30	P321D1	UC321D1	41,400	34,500
110	UCP322D1	150	520	400	140	40	55	55	300	117	46	M33	P322D1	UC322D1	46,100	40,500
120	UCP324D1	160	570	450	140	40	55	65	320	126	51	M33	P324D1	UC324D1	46,600	41,500
130	UCP326D1	180	600	480	140	40	55	75	355	135	54	M33	P326D1	UC326D1	51,500	48,000
140	UCP328D1	200	620	500	140	40	55	75	390	145	59	M33	P328D1	UC328D1	56,900	55,500

Units: Millimeters  
INCHES



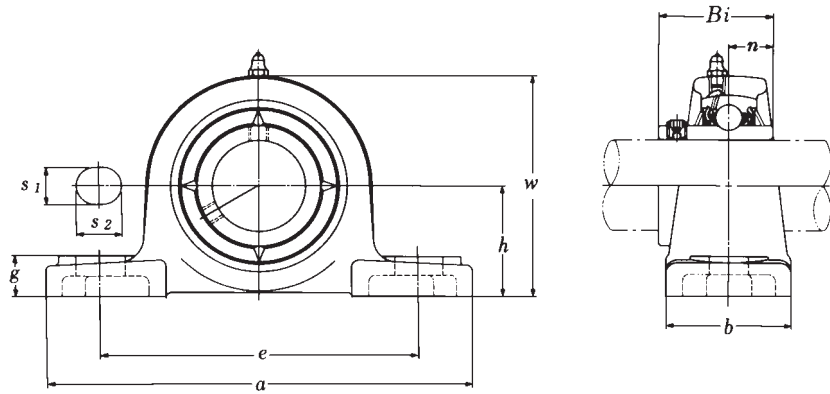
### PILLOW BLOCKS - CAST HOUSING (LOW CENTER HEIGHT)

Shaft Dia.	Complete Pillow Block Number	Nominal Dimensions										Bolt Size	Housing Number	Bearing Number	Basic Load Ratings (lbs)	
		<i>h</i>	<i>a</i>	<i>e</i>	<i>b</i>	<i>s<sub>1</sub></i>	<i>s<sub>2</sub></i>	<i>g</i>	<i>w</i>	<i>Bi</i>	<i>n</i>				<i>C</i>	<i>C<sub>0</sub></i>
12 ½	ASPL201 ASPL201-008	26.99 1 ¼	121 4 ¾	89 3 ½	35 1 ¾	11 ⅞	14 ⅞	13 ½	54 2 ¼	22 .866	6 .236	M10 ¾	PL201 PL201	AS201 AS201-008	2,160	1,040
15 ⅝ 5/8	ASPL202 ASPL202-009 ASPL202-010	26.99 1 ¼	121 4 ¾	89 3 ½	35 1 ¾	11 ⅞	14 ⅞	13 ½	54 2 ¼	22 .866	6 .236	M10 ¾	PL201 PL201 PL201	AS202 AS202-009 AS202-010	2,160	1,040
17 1 ¼	ASPL203 *ASPL203-011	26.99 1 ¼	121 4 ¾	89 3 ½	35 1 ¾	11 ⅞	14 ⅞	13 ½	54 2 ¼	22 .866	6 .236	M10 ¾	PL201 PL201	AS203 AS203-011	2,160	1,040
20 ¾	ASPL204 ASPL204-012	31.75 1 ¼	127 5	95 3 ¾	38 1 ½	13 ½	16 ⅝	14 ⅞	64 2 1 ½	25 .984	7 .276	M10 ¾	PL204 PL204	AS204 AS204-012	2,890	1,500
25 1 ¾ 7/8 1 ¼ 1	ASPL205 ASPL205-013 ASPL205-014 ASPL205-015 ASPL205-100	33.34 1 ⅝	140 5 ½	105 4 ¼	38 1 ½	13 ½	16 ⅝	15 1 9/32	68 2 1 1/16	27 1.063	7.5 .295	M10 ¾	PL205 PL205 PL205 PL205	AS205 AS205-013 AS205-014 AS205-015 AS205-100	3,150	1,770
30 1 1/16 1 1/8 1 3/16 1 1/4	ASPL206 ASPL206-101 ASPL206-102 ASPL206-103 *ASPL206-104	39.69 1 ⅝	165 6 ½	121 4 ¾	48 1 7/8	17 2 1/32	20 2 5/32	17 2 1/32	80 3 5/32	29 1.142	8 .315	M14 ½	PL206 PL206 PL206 PL206	AS206 AS206-101 AS206-102 AS206-103 AS206-104	4,400	2,540
35 1 ¼ 1 5/16 1 ¾ 1 7/16	ASPL207 ASPL207-104 ASPL207-105 ASPL207-106 *ASPL207-107	46.04 1 1 3/16	167 6 9/16	127 5	48 1 7/8	17 2 1/32	20 2 5/32	18 2 3/32	91 3 1 9/32	34 1.339	8.5 .335	M14 ½	PL207 PL207 PL207 PL207	AS207 AS207-104 AS207-105 AS207-106 AS207-107	5,750	3,440

\* Unit with notched set screw as standard.



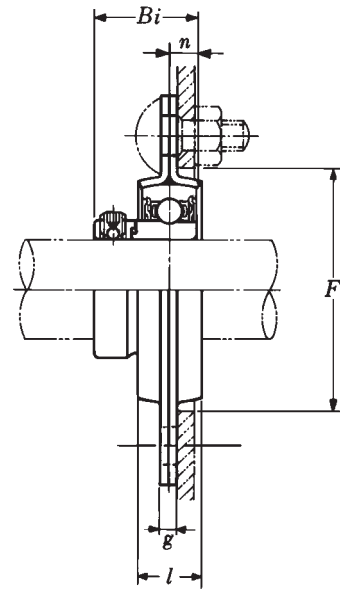
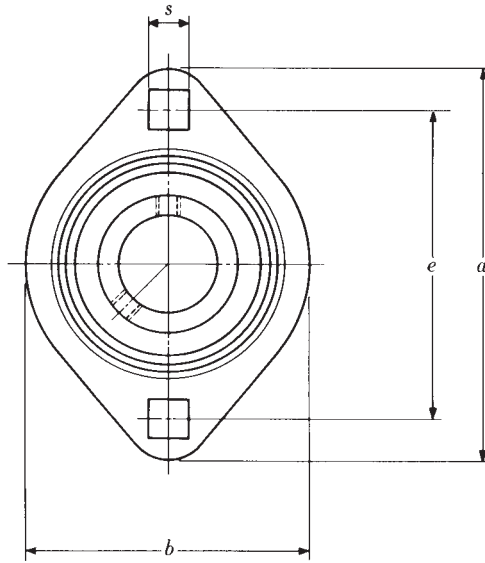
Units: **Millimeters**  
**INCHES**



PILLOW BLOCKS - CAST HOUSING (LOW CENTER HEIGHT)																
Shaft Dia.	Complete Pillow Block Number	Nominal Dimensions										Bolt Size	Housing Number	Bearing Number	Basic Load Ratings (lbs)	
		<i>h</i>	<i>a</i>	<i>e</i>	<i>b</i>	<i>s</i> <sub>1</sub>	<i>s</i> <sub>2</sub>	<i>g</i>	<i>w</i>	<i>B</i> <sub>i</sub>	<i>n</i>				<i>C</i> <sub>Dynamic</sub>	<i>C</i> <sub>Static</sub>
20 3/4	UCPL204D1 UCPL204-012T	31.75 1 1/4	127 5	95 3 3/4	38 1 1/2	13 1/2	16 5/8	14 9/16	64 2 11/32	31 1.220	12.7 .500	M10 3/8	PL204D1 PL204T	UC204D1 UC204-012D1	2,890	1,500
25 1 3/16 7/8 15/16 1	UCPL205D1 UCPL205-013T UCPL205-014T UCPL205-015T UCPL205-100T	33.34 1 5/16	140 5 1/2	105 4 1/8	38 1 1/2	13 1/2	16 5/8	15 1 1/32	68 2 1 1/16	34 1.339	14.3 .563	M10 3/8	PL205D1 PL205T PL205T PL205T PL205T	UC205D1 UC205-013D1 UC205-014D1 UC205-015D1 UC205-100D1	3,150	1,770
30 1 1/4 1 1/8 1 3/16 1 1/4	UCPL206D1 UCPL206-101T UCPL206-102T UCPL206-103T UCPL206-104T	39.69 1 9/16	165 6 1/2	121 4 3/4	48 1 7/8	17 2 1/32	20 2 5/32	17 2 1/32	80 3 5/32	38.1 1.500	15.9 .626	M14 1/2	PL206D1 PL206T PL206T PL206T PL206T	UC206D1 UC206-101D1 UC206-102D1 UC206-103D1 UC206-104D1	4,400	2,540
35 1 1/4 1 5/16 1 3/8 1 7/16	UCPL207D1 UCPL207-104T UCPL207-105T UCPL207-106T UCPL207-107T	46.04 1 13/16	167 6 9/16	127 5	48 1 7/8	17 2 1/32	20 2 5/32	18 2 3/32	91 3 1 1/32	42.9 1.689	17.5 .689	M14 1/2	PL207D1 PL207T PL207T PL207T PL207T	UC207D1 UC207-104D1 UC207-105D1 UC207-106D1 UC207-107D1	5,750	3,440
45 1 5/8 1 11/16 1 3/4	UCPL209D1 UCPL209-110T UCPL209-111T UCPL209-112T	52.39 2 1/16	190 7 15/32	146 5 3/4	54 2 1/8	17 2 1/32	20 2 5/32	20 2 5/32	104 4 3/32	49.2 1.937	19 .748	M14 1/2	PL209D1 PL209T PL209T PL209T	UC209D1 UC209-110D1 UC209-111D1 UC209-112D1	7,350	4,590
50 1 13/16 1 7/8 1 15/16 2	UCPL210D1 UCPL210-113T UCPL210-114T UCPL210-115T UCPL210-200T	55.56 2 3/16	206 8 1/8	159 6 1/4	60 2 3/8	20 2 5/32	23 2 9/32	21 1 3/16	112 4 1 3/32	51.6 2.031	19 .748	M16 5/8	PL210D1 PL210T PL210T PL210T PL210T	UC210D1 UC210-113D1 UC210-114D1 UC210-115D1 UC210-200D1	7,900	5,220



Units: **Millimeters**  
**INCHES**

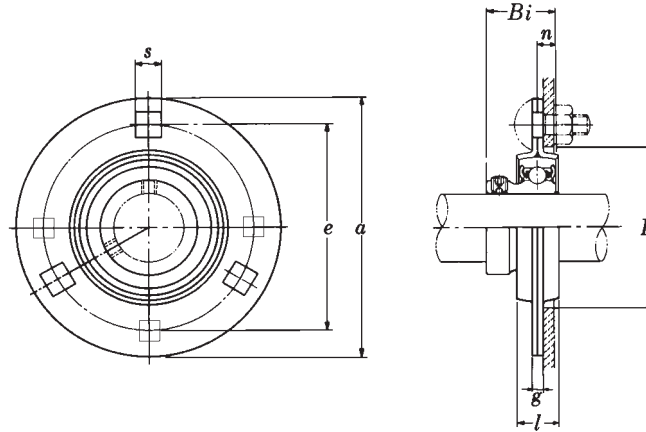


### FLANGED UNITS - PRESSED STEEL HOUSING (TWO BOLT)

Shaft Dia.	Complete Flanged Unit Number	Nominal Dimensions								Bolt Size	Housing Number	Bearing Number	Basic Load Ratings (lbs)		Max. Radial Load <sup>①</sup> (lbs)
		a	e	g	s	l	Bi	n	(min) F				Dynamic C	Static C <sub>0</sub>	
12 ½	ASPFL201 ASPFL201-008	81 3 ⅜	63 2 1 ½	4 .157	7 ⅞	14 ⅞	22 .866	6 .236	49 1 1 ½	M6 ¼	PFL203 PFL203	AS201 AS201-008	2,160	1,040	600
15 9/16	ASPFL202 ASPFL202-009 ASPFL202-010	81 3 ⅜	63 2 1 ½	4 .157	7 ⅞	14 ⅞	22 .866	6 .236	49 1 1 ½	M6 ¼	PFL203 PFL203 PFL203	AS202 AS202-009 AS202-010	2,160	1,040	600
17 1 1/16	ASPFL203 *ASPFL203-011	81 3 ⅜	63 2 1 ½	4 .157	7 ⅞	14 ⅞	22 .866	6 .236	49 1 1 ½	M6 ¼	PFL203 PFL203	AS203 AS206-011	2,160	1,040	600
20 ¾	ASPFL204 ASPFL204-012	90 3 1 7/8	71 2 2 5/8	4 .157	9 2 3/4	16 5/8	25 .984	7 .276	56 2 7/8	M8 5/16	PFL204 PFL204	AS204 AS204-012	2,890	1,500	660
25 1 3/16 7/8 1 1/4 1 1/8	ASPFL205 ASPFL205-013 ASPFL205-014 ASPFL205-015 ASPFL205-100	95 3 ¾	76 3	4 .157	9 2 3/4	18 2 3/8	27 1.063	7.5 .295	60 2 ¾	M8 5/16	PFL205 PFL205 PFL205 PFL205 PFL205	AS205 AS205-013 AS205-014 AS205-015 AS205-100	3,150	1,770	880
30 1 1/16 1 1/8 1 3/16	ASPFL206 ASPFL206-101 ASPFL206-102 ASPFL206-103 *ASPFL206-104	113 4 7/16	90 3 1 7/8	5.2 .205	11 7/16	18 2 3/8	29 1.142	8 .315	71 2 25/32	M10 3/8	PFL206 PFL206 PFL206 PFL206 PFL206	AS206 AS206-101 AS206-102 AS206-103 AS206-104	4,400	2,540	1,100
35 1 ¼ 1 5/16 1 ¾ 1 7/16	ASPFL207 ASPFL207-104 ASPFL207-105 ASPFL207-106 *ASPFL207-107	122 4 1 3/16	100 3 1 5/16	5.2 .205	11 7/16	20 2 5/8	34 1.339	8.5 .335	81 3 3/16	M10 3/8	PFL207 PFL207 PFL207 PFL207 PFL207	AS207 AS207-104 AS207-105 AS207-106 AS207-107	5,750	3,440	1,300

① Axial load should be less than 1/3 of radial load.  
\* Unit with notched set screw as standard.

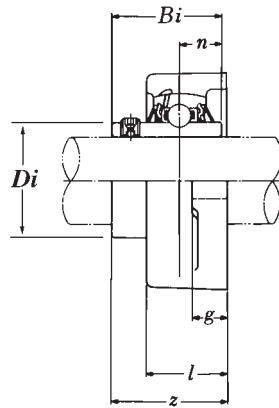
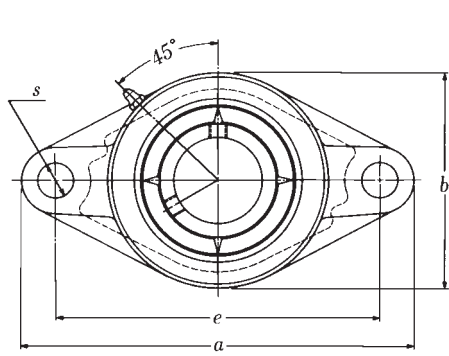
Units: **Millimeters**  
**INCHES**



### FLANGED UNITS - PRESSED STEEL HOUSING (THREE BOLT)

Shaft Dia.	Complete Flanged Unit Number	Nominal Dimensions									Bolt Size	Housing Number	Bearing Number	Basic Load Ratings (lbs)		Max. Radial Load <sup>①</sup> (lbs)
		a	e	g	s	l	Bi	n	(min) F	Dynamic C				Static C <sub>0</sub>		
12 ½	ASPF201 ASPF201-008	81 3 ⅜	63 2 1 5/32	4 .157	7 9/32	14 9/16	22 .866	6 .236	49 1 15/16	M6 ¼	PF203 PF203	AS201 AS201-008	2,160	1,040	600	
15 9/16 5/8	ASPF202 ASPF202-009 ASPF202-010	81 3 ⅜	63 2 1 5/32	4 .157	7 9/32	14 9/16	22 .866	6 .236	49 1 15/16	M6 ¼	PF203 PF203 PF203	AS202 AS202-009 AS202-010	2,160	1,040	600	
17 1 1/16	ASPF203 *ASPF203-011	81 3 ⅜	63 2 1 5/32	4 .157	7 9/32	14 9/16	22 .866	6 .236	49 1 15/16	M6 ¼	PF203 PF203	AS203 AS203-011	2,160	1,040	600	
20 ¾	ASPF204 ASPF204-012	90 3 1 7/32	71 2 2 5/32	4 .157	9 2 3/64	16 5/8	25 .984	7 .276	56 2 7/32	M8 5/16	PF204 PF204	AS204 AS204-012	2,890	1,500	660	
25 1 3/16 7/8 1 5/16 1	ASPF205 ASPF205-013 ASPF205-014 ASPF205-015 ASPF205-100	95 3 ¾	76 3	4 .157	9 2 3/64	18 2 3/32	27 1.063	7.5 .295	60 2 ¾	M8 5/16	PF205 PF205 PF205 PF205	AS205 AS205-013 AS205-014 AS205-015 AS205-100	3,150	1,770	880	
30 1 1/16 1 1/8 1 3/16 1 ¼	ASPF206 ASPF206-101 ASPF206-102 ASPF206-103 *ASPF206-104	113 4 7/16	90 3 1 1/32	5.2 .205	11 7/16	18 2 3/32	29 1.142	8 .315	71 2 25/32	M10 ¾	PF206 PF206 PF206 PF206	AS206 AS206-101 AS206-102 AS206-103 AS206-104	4,400	2,540	1,100	
35 1 ¼ 1 5/16 1 ¾ 1 7/16	ASPF207 ASPF207-104 ASPF207-105 ASPF207-106 *ASPF207-107	122 4 1 13/16	100 3 1 5/16	5.2 .205	11 7/16	20 2 5/32	34 1.339	8.5 .335	81 3 3/16	M10 ¾	PF207 PF207 PF207 PF207	AS207 AS207-104 AS207-105 AS207-106 AS207-107	5,750	3,440	1,300	
40 1 ½ 1 9/16	ASPF208 ASPF208-108 ASPF208-109	148 5 1 1/16	119 4 1 1/16	6.8 .268	★ 14 9/16	21 1 1/16	38 1.496	9 .354	91 3 9/16	M12 ½	PF208 PF208 PF208	AS208 AS208-108 AS208-109	6,550	4,000	1,500	

① Axial load should be less than 1/3 of radial load.  
\* Unit with notched set screw as standard.  
★ ASPF208 has four bolt holes.

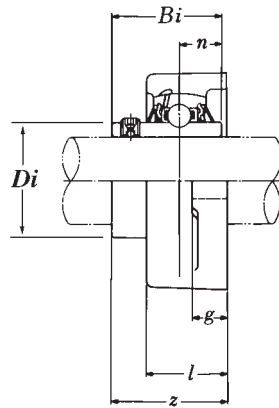
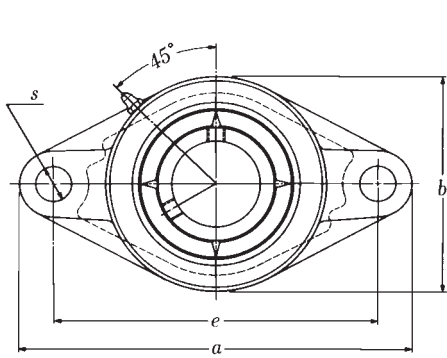


Units: Millimeters  
INCHES



### FLANGED UNITS - CAST HOUSING (TWO BOLT)

Shaft Dia.	Complete Flanged Unit Number	Nominal Dimensions									Bolt Size	Housing Number	Bearing Number	Basic Load Ratings (lbs)	
		a	e	g	l	s	b	z	Bi	n				Dynamic C	Static Co
12 1/2	UCFL201D1 UCFL201-008T	113 4 7/16	90 3 17/32	11 7/16	25.5 1	12 25/64	60 2 3/8	33.3 1 9/16	31 1.220	12.7 .500	M10 5/16	FL204D1 FL204T	UC201D1 UC201-008D1	2,890	1,500
15 9/16 5/8	UCFL202D1 UCFL202-009T UCFL202-010T	113 4 7/16	90 3 17/32	11 7/16	25.5 1	12 25/64	60 2 3/8	33.3 1 9/16	31 1.220	12.7 .500	M10 5/16	FL204D1 FL204T FL204T	UC202D1 UC202-009D1 UC202-010D1	2,890	1,500
17 11/16	UCFL203D1 UCFL203-011T	113 4 7/16	90 3 17/32	11 7/16	25.5 1	12 25/64	60 2 3/8	33.3 1 9/16	31 1.220	12.7 .500	M10 5/16	FL204D1 FL204T	UC203D1 UC203-011D1	2,890	1,500
20 3/4	UCFL204D1 UCFL204-012T	113 4 7/16	90 3 17/32	11 7/16	25.5 1	12 25/64	60 2 3/8	33.3 1 9/16	31 1.220	12.7 .500	M10 5/16	FL204D1 FL204T	UC204D1 UC204-012D1	2,890	1,500
25 13/16 7/8 15/16 1	UCFL205D1 UCFL205-013T UCFL205-014T UCFL205-015T UCFL205-100T	130 5 1/8	99 3 29/32	13 1/2	27 1 1/16	16 15/32	68 2 11/16	35.7 1 13/32	34 1.339	14.3 .563	M14 3/8	FL205D1 FL205T FL205T FL205T FL205T	UC205D1 UC205-013D1 UC205-014D1 UC205-015D1 UC205-100D1	3,150	1,770
30 1 1/16 1 1/8 1 3/16 1 1/4	UCFL206D1 UCFL206-101T UCFL206-102T UCFL206-103T UCFL206-104T	148 5 13/16	117 4 19/32	13 1/2	31 1 7/32	16 29/64	80 3 5/8	40.2 1 37/64	38.1 1.500	15.9 .626	M14 3/8	FL206D1 FL206T FL206T FL206T FL206T	UC206D1 UC206-101D1 UC206-102D1 UC206-103D1 UC206-104D1	4,400	2,540
35 1 1/4 1 5/16 1 3/8 1 7/16	UCFL207D1 UCFL207-104T UCFL207-105T UCFL207-106T UCFL207-107T	161 6 1/32	130 5 1/8	15 19/32	34 1 11/32	16 33/64	90 3 17/32	44.4 1 3/4	42.9 1.689	17.5 .689	M14 7/16	FL207D1 FL207T FL207T FL207T FL207T	UC207D1 UC207-104D1 UC207-105D1 UC207-106D1 UC207-107D1	5,750	3,440
40 1 1/2 1 9/16	UCFL208D1 UCFL208-108T UCFL208-109T	175 6 7/8	144 5 21/32	15 19/32	36 1 13/32	16 33/64	100 3 15/16	51.2 2 1/64	49.2 1.937	19 .748	M14 7/16	FL208D1 FL208T FL208T	UC208D1 UC208-108D1 UC208-109D1	6,550	4,000
45 1 5/8 1 11/16 1 3/4	UCFL209D1 UCFL209-110T UCFL209-111T UCFL209-112T	188 7 13/32	148 5 13/16	16 5/8	38 1 1/2	19 37/64	108 4 1/4	52.2 2 1/16	49.2 1.937	19 .748	M16 1/2	FL209D1 FL209T FL209T FL209T	UC209D1 UC209-110D1 UC209-111D1 UC209-112D1	7,350	4,590
50 1 13/16 1 7/8 1 15/16 2	UCFL210D1 UCFL210-113T UCFL210-114T UCFL210-115T UCFL210-200T	197 7 3/4	157 6 3/16	16 5/8	40 1 9/16	19 37/64	115 4 17/32	54.6 2 3/32	51.6 2.031	19 .748	M16 1/2	FL210D1 FL210T FL210T FL210T FL210T	UC210D1 UC210-113D1 UC210-114D1 UC210-115D1 UC210-200D1	7,900	5,220
55 2 2 1/16 2 1/8 2 3/16	UCFL211D1 UCFL211-200T UCFL211-201T UCFL211-202T UCFL211-203T	224 8 13/16	184 7 1/4	18 23/32	43 1 11/16	19 21/32	130 5 1/8	58.4 2 19/64	55.6 2.189	22.2 .874	M16 9/16	FL211D1 FL211T FL211T FL211T FL211T	UC211D1 UC211-200D1 UC211-201D1 UC211-202D1 UC211-203D1	9,750	6,570
60 2 1/4 2 3/8 2 7/16	UCFL212D1 UCFL212-204T UCFL212-206T UCFL212-207T	250 9 27/32	202 7 15/16	18 23/32	48 1 7/8	23 29/32	140 5 1/2	68.7 2 45/64	65.1 2.563	25.4 1.000	M20 3/4	FL212D1 FL212T FL212T FL212T	UC212D1 UC212-204D1 UC212-206D1 UC212-207D1	11,800	8,100
65 2 1/2	UCFL213D1 UCFL213-208T	258 10 9/32	210 8 3/32	22 7/8	50 1 31/32	23 29/32	155 6 3/32	69.7 2 3/4	65.1 2.563	25.4 1.000	M20 3/4	FL213D1 FL213T	UC213D1 UC213-208D1	12,900	9,000
70 2 11/16 2 3/4	UCFL214D1 UCFL214-211T UCFL214-212T	265 10 7/16	216 8 1/2	22 7/8	54 2 1/8	23 29/32	160 6 3/16	75.4 2 31/32	74.6 2.937	30.2 1.189	M20 3/4	FL214D1 FL214T FL214T	UC214D1 UC214-211D1 UC214-212D1	14,000	9,900
75 2 15/16 3	UCFL215D1 UCFL215-215T UCFL215-300T	275 10 13/16	225 8 27/32	22 7/8	56 2 7/32	23 29/32	165 6 1/2	78.5 3 3/32	77.8 3.063	33.3 1.311	M20 3/4	FL215D1 FL215T FL215T	UC215D1 UC215-215D1 UC215-300D1	14,900	11,100
80 3 1/8	UCFL216D1 UCFL216-302T	290 11 13/32	233 9 3/16	22 7/8	58 2 9/32	25 63/64	180 7 3/32	83.3 3 9/32	82.6 3.252	33.3 1.311	M22 7/8	FL216D1 FL216T	UC216D1 UC216-302D1	16,300	11,900
85 3 1/4	UCFL217D1 UCFL217-304T	305 12	248 9 3/4	24 15/16	63 2 15/32	25 63/64	190 7 15/32	87.6 3 29/64	85.7 3.374	34.1 1.343	M22 7/8	FL217D1 FL217T	UC217D1 UC217-304D1	18,700	14,400
90 3 1/2	UCFL218D1 UCFL218-308T	320 12 1/32	265 10 7/16	24 15/16	68 2 11/16	25 63/64	205 8 1/16	96.3 3 51/64	96 3.780	39.7 1.563	M22 7/8	FL218D1 FL218T	UC218D1 UC218-308D1	21,600	16,100



Units: **Millimeters**  
**INCHES**

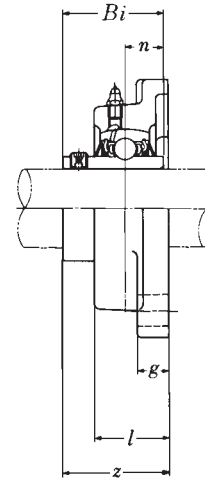
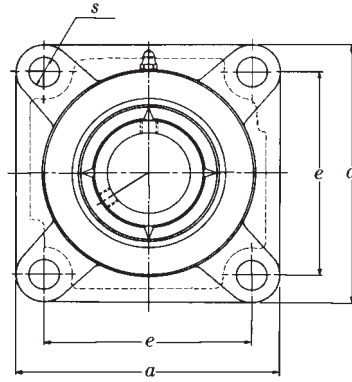


### FLANGED UNITS - CAST HOUSING (TWO BOLT)

Shaft Dia.	Complete Flanged Unit Number	Nominal Dimensions									Bolt Size	Housing Number	Bearing Number	Basic Load Ratings (lbs)	
		a	e	g	l	s	b	z	Bi	n				Dynamic C	Static C <sub>0</sub>
25 7/8 1 1/16 1	UCFL305D1 UCFL305-014T UCFL305-015T UCFL305-100T	150 5 29/32	113 4 7/16	13 1/2	29 1 5/32	19 3/4	80 3 5/32	39 1 17/32	38 1.496	15 .591	M16 5/8	FL305D1 FL305T FL305T FL305T	UC305D1 UC305-014D1 UC305-015D1 UC305-100D1	4,750	2,460
30 1 1/8 1 3/16	UCFL306D1 UCFL306-102T UCFL306-103T	180 7 3/32	134 5 9/32	15 19/32	32 1 1/4	23 29/32	90 3 17/32	44 1 47/64	43 1.693	17 .669	M20 3/4	FL306D1 FL306T FL306T	UC306D1 UC306-102D1 UC306-103D1	6,000	3,400
35 1 1/4 1 5/16 1 3/8 1 7/16	UCFL307D1 UCFL307-104T UCFL307-105T UCFL307-106T UCFL307-107T	185 7 5/32	141 5 9/16	16 5/8	36 1 13/32	23 29/32	100 3 15/16	49 1 59/64	48 1.890	19 .748	M20 3/4	FL307D1 FL307T FL307T FL307T FL307T	UC307D1 UC307-104D1 UC307-105D1 UC307-106D1 UC307-107D1	7,500	4,300
40 1 1/2	UCFL308D1 UCFL308-108T	200 7 7/8	158 6 7/8	17 21/32	40 1 9/16	23 29/32	112 4 13/32	56 2 13/64	52 2.047	19 .748	M20 3/4	FL308D1 FL308T	UC308D1 UC308-108D1	9,150	5,400
45 1 5/8 1 11/16 1 3/4	UCFL309D1 UCFL309-110T UCFL309-111T UCFL309-112T	230 9 1/16	177 6 31/32	18 23/32	44 1 23/32	25 63/64	125 4 29/32	60 2 23/64	57 2.244	22 .866	M22 7/8	FL309D1 FL309T FL309T FL309T	UC309D1 UC309-110D1 UC309-111D1 UC309-112D1	11,900	7,200
50 1 7/8 1 5/16	UCFL310D1 UCFL310-114T UCFL310-115T	240 9 7/16	187 7 3/8	19 3/4	48 1 7/8	25 63/64	140 5 1/2	67 2 41/64	61 2.402	22 .866	M22 7/8	FL310D1 FL310T FL310T	UC310D1 UC310-114D1 UC310-115D1	13,900	8,600
55 2 2 1/8 2 3/16	UCFL311D1 UCFL311-200T UCFL311-202T UCFL311-203T	250 9 27/32	198 7 25/32	20 29/32	52 2 1/16	25 63/64	150 5 29/32	71 2 51/64	66 2.598	25 .984	M22 7/8	FL311D1 FL311T FL311T FL311T	UC311D1 UC311-200D1 UC311-202D1 UC311-203D1	16,100	10,100
60 2 1/4 2 3/8 2 7/16	UCFL312D1 UCFL312-204T UCFL312-206T UCFL312-207T	270 10 5/8	212 8 11/32	22 7/8	56 2 7/32	31 1 7/32	160 6 5/16	78 3 5/64	71 2.795	26 1.024	M27 1	FL312D1 FL312T FL312T FL312T	UC312D1 UC312-204D1 UC312-206D1 UC312-207D1	18,400	11,700
65 2 1/2	UCFL313D1 UCFL313-208T	295 11 5/8	240 9 7/16	25 31/32	58 2 9/32	31 1 7/32	175 6 7/8	78 3 5/64	75 2.953	30 1.181	M27 1	FL313D1 FL313T	UC313D1 UC313-208D1	20,800	13,400
70 2 11/16 2 3/4	UCFL314D1 UCFL314-211T UCFL314-212T	315 12 13/32	250 9 27/32	28 1 3/32	61 2 13/32	35 1 3/8	185 7 9/32	81 3 3/16	78 3.071	33 1.299	M30 1 1/8	FL314D1 FL314T FL314T	UC314D1 UC314-211D1 UC314-212D1	23,400	15,300
75 2 5/16 3	UCFL315D1 UCFL315-215T UCFL315-300T	320 12 19/32	260 10 1/4	30 1 3/16	66 2 19/32	35 1 3/8	195 7 11/16	89 3 1/2	82 3.228	32 1.260	M30 1 1/8	FL315D1 FL315T FL315T	UC315D1 UC315-215D1 UC315-300D1	25,500	17,400
80 3 1/8 3 3/16	UCFL316D1 UCFL316-302T UCFL316-303T	355 13 31/32	285 11 7/32	32 1 1/4	68 2 11/16	38 1 1/2	210 8 9/32	90 3 39/64	86 3.386	34 1.339	M33 1 1/4	FL315D1 FL316T FL316T	UC316D1 UC316-302D1 UC316-303D1	27,600	19,500
85 3 1/4	UCFL317D1 UCFL317-304T	370 14 9/16	300 11 13/16	32 1 1/4	74 2 29/32	38 1 1/2	220 8 21/32	100 3 15/16	96 3.780	40 1.575	M33 1 1/4	FL317D1 FL317T	UC317D1 UC317-304D1	29,800	21,800
90 3 7/16 3 1/2	UCFL318D1 UCFL318-307T UCFL318-308T	385 15 5/32	315 12 13/32	36 1 13/32	76 3	38 1 1/2	235 9 1/4	100 3 15/16	96 3.780	40 1.575	M33 1 1/4	FL318D1 FL318T FL318T	UC318D1 UC318-307D1 UC318-308D1	32,000	24,100
95 3 3/4	UCFL319D1 UCFL319-312T	405 15 19/16	330 13	40 1 9/16	94 3 11/16	41 1 39/64	250 9 27/32	121 4 49/64	103 4.055	41 1.614	M36 1 3/8	FL319D1 FL319T	UC319D1 UC319-312D1	34,500	26,600
100 3 15/16 4	UCFL320D1 UCFL320-315T UCFL320-400T	440 17 9/16	360 14 3/16	40 1 9/16	94 3 11/16	44 1 47/64	270 10 5/8	125 4 59/64	108 4.252	42 1.654	M39 1 1/2	FL320D1 FL320T FL320T	UC320D1 UC320-315D1 UC320-400D1	39,000	31,500
105	UCFL321D1	440	360	40	94	44	270	127	112	44	M39	FL321D1	UC321D1	41,500	34,500
110	UCFL322D1	470	390	42	96	44	300	131	117	46	M39	FL322D1	UC322D1	46,000	40,500
120	UCFL324D1	520	430	48	110	47	330	140	126	51	M42	FL324D1	UC324D1	46,500	41,500
130	UCFL326D1	550	460	50	115	47	360	146	135	54	M42	FL326D1	UC326D1	51,500	48,000
140	UCFL328D1	600	500	60	125	51	400	161	145	59	M45	FL328D1	UC328D1	57,000	55,500



Units: **Millimeters**  
**INCHES**



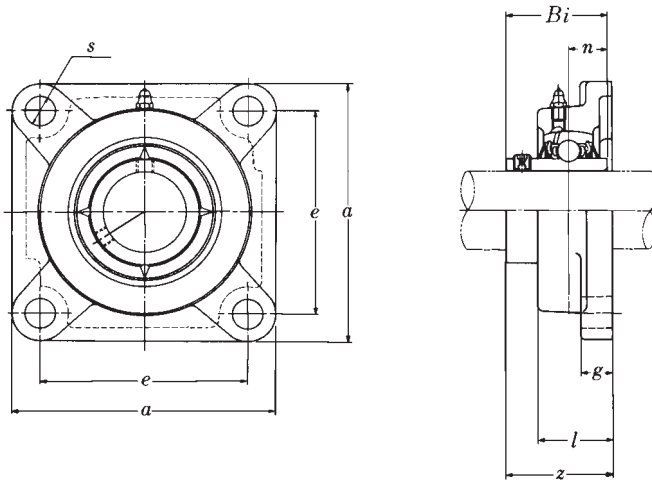
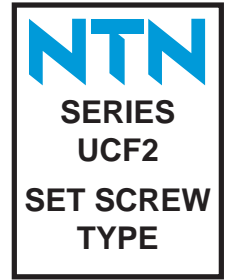
### FLANGED UNITS - PRESSED CAST HOUSING (FOUR BOLT)

Shaft Dia.	Complete Flanged Unit Number	Nominal Dimensions								Bolt Size	Housing Number	Bearing Number	Basic Load Ratings (lbs)	
		a	e	g	l	s	z	Bi	n				Dynamic C	Static Co
12 ½	UCF201D1 UCF201-008T	86 3 ¾	64 2 17/32	11 7/16	25.5 1	12 15/32	33.3 1 5/16	31 1.220	12.7 .500	M10 ¾	F204D1 F204T	UC201D1 UC201-008D1	2,890	1,500
15 9/16 5/8	UCF202D1 UCF202-009T UCF202-010T	86 3 ¾	64 2 17/32	11 7/16	25.5 1	12 15/32	33.3 1 5/16	31 1.220	12.7 .500	M10 ¾	F204D1 F204T F204T	UC202D1 UC202-009D1 UC202-010D1	2,890	1,500
17 1 1/16	UCF203D1 UCF203-011T	86 3 ¾	64 2 17/32	11 7/16	25.5 1	12 15/32	33.3 1 5/16	31 1.220	12.7 .500	M10 ¾	F204D1 F204T	UC203D1 UC203-011D1	2,890	1,500
20 ¾	UCF204D1 UCF204-012T	86 3 ¾	64 2 17/32	11 7/16	25.5 1	12 15/32	33.3 1 5/16	31 1.220	12.7 .500	M10 ¾	F204D1 F204T	UC204D1 UC204-012D1	2,890	1,500
25 1 3/16 7/8 1 1/8 1	UCF205D1 UCF205-013T UCF205-014T UCF205-015T UCF205-100T	95 3 ¾	70 2 ¾	13 ½	27 1 1/16	12 15/32	35.7 1 13/32	34 1.339	14.3 .563	M10 ¾	F205D1 F205T F205T F205T F205T	UC205D1 UC205-013D1 UC205-014D1 UC205-015D1 UC205-100D1	3,150	1,770
30 1 1/16 1 1/8 1 3/16 1 1/4	UCF206D1 UCF206-101T UCF206-102T UCF206-103T *UCF206-104T	108 4 ¼	83 3 9/32	13 ½	31 1 7/32	12 15/32	40.2 1 37/64	38.1 1.500	15.9 .626	M10 ¾	F206D1 F206T F206T F206T F206T	UC206D1 UC206-101D1 UC206-102D1 UC206-103D1 UC206-104D1	4,400	2,540
35 1 ¼ 1 5/16 1 3/8 1 7/16	UCF207D1 UCF207-104T UCF207-105T UCF207-106T *UCF207-107T	117 4 19/32	92 3 5/8	15 19/32	34 1 11/32	14 35/64	44.4 1 ¾	42.9 1.689	17.5 .689	M12 ½	F207D1 F207T F207T F207T F207T	UC207D1 UC207-104D1 UC207-105D1 UC207-106D1 UC207-107D1	5,750	3,440
40 1 ½ 1 9/16	UCF208D1 UCF208-108T UCF208-109T	130 5 ½	102 4 1/32	15 19/32	36 1 13/32	16 5/8	51.2 2 1/4	49.2 1.937	19 .748	M14 ½	F208D1 F208T F208T	UC208D1 UC208-108D1 UC208-109D1	6,550	4,000
45 1 5/8 1 11/16 1 ¾	UCF209D1 UCF209-110T UCF209-111T UCF209-112T	137 5 13/32	105 4 1/8	16 5/8	38 1 ½	16 5/8	52.2 2 1/16	49.2 1.937	19 .748	M14 ½	F209D1 F209T F209T F209T	UC209D1 UC209-110D1 UC209-111D1 UC209-112D1	7,350	4,590
50 1 13/16 1 7/8 1 15/16 2	UCF210D1 UCF210-113T UCF210-114T UCF210-115T UCF210-200T	143 5 5/8	111 4 3/8	16 5/8	40 1 9/16	16 5/8	54.6 2 9/32	51.6 2.031	19 .748	M14 ½	F210D1 F210T F210T F210T F210T	UC210D1 UC210-113D1 UC210-114D1 UC210-115D1 UC210-200D1	7,900	5,220
55 2 2 1/16 2 1/8 2 3/16	UCF211D1 UCF211-200T UCF211-201T UCF211-202T UCF211-203T	162 6 3/8	130 5 1/8	18 23/32	43 1 11/16	19 ¾	58.4 2 19/64	55.6 2.189	22.2 .874	M16 5/8	F211D1 F211T F211T F211T F211T	UC211D1 UC211-200D1 UC211-201D1 UC211-202D1 UC211-203D1	9,750	6,570

\* Unit with notched set screw as standard.

Continued on next page.

Units: Millimeters  
INCHES



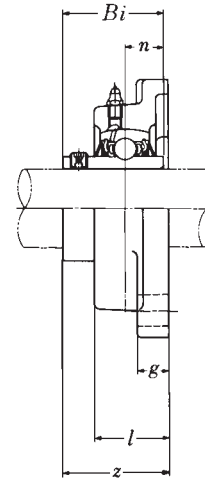
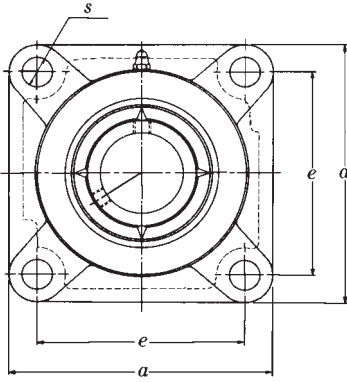
### FLANGED UNITS - PRESSED CAST HOUSING (FOUR BOLT)

Shaft Dia.	Complete Flanged Unit Number	Nominal Dimensions								Bolt Size	Housing Number	Bearing Number	Basic Load Ratings (lbs)	
		a	e	g	l	s	z	Bi	n				Dynamic C	Static C <sub>0</sub>
60 2 1/4 2 3/8 2 7/16	UCF212D1 UCF212-204T UCF212-206T *UCF212-207T	175 6 7/8	143 5 5/8	18 23/32	48 1 7/8	19 3/4	68.7 2 45/64	65.1 2.563	25.4 1.000	M16 5/8	F212D1 F212T F212T F212T	UC212D1 UC212-204D1 UC212-206D1 UC212-207D1	11,800	8,100
65 2 1/2	UCF213D1 UCF213-208T	187 7 3/8	149 5 7/8	22 7/8	50 1 31/32	19 3/4	69.7 2 3/4	65.1 2.563	25.4 1.000	M16 5/8	F213D1 F213T	UC213D1 UC213-208D1	12,900	9,000
70 2 11/16 2 3/4	UCF214D1 UCF214-211T UCF214-212T	193 7 19/32	152 5 31/32	22 7/8	54 2 1/8	19 3/4	75.4 2 31/32	74.6 2.937	30.2 1.189	M16 5/8	F214D1 F214T F214T	UC214D1 UC214-211D1 UC214-212D1	14,000	9,900
75 2 15/16 3	UCF215D1 UCF215-215T UCF215-300T	200 7 7/8	159 6 1/4	22 7/8	56 2 7/32	19 3/4	78.5 3 3/32	77.8 3.063	33.3 1.311	M16 5/8	F215D1 F215T F215T	UC215D1 UC215-215D1 UC215-300D1	14,900	11,100
80 3 1/8	UCF216D1 UCF216-302T	208 8 3/16	165 6 1/2	22 7/8	58 2 9/32	23 29/32	83.3 3 3/32	82.6 3.252	33.3 1.311	M20 3/4	F216D1 F216T	UC216D1 UC216-302D1	16,300	11,900
85 3 1/4	UCF217D1 UCF217-304T	220 8 21/32	175 6 7/8	24 15/16	63 2 15/32	23 29/32	87.6 3 29/64	85.7 3.374	34.1 1.343	M20 3/4	F217D1 F217T	UC217D1 UC217-304D1	18,700	14,400
90 3 1/2	UCF218D1 UCF218-308T	235 9 1/4	187 7 3/8	24 15/16	68 2 11/16	23 29/32	96.3 3 51/64	96 3.780	39.7 1.563	M20 3/4	F218D1 F218T	UC218D1 UC218-308D1	21,600	16,100

\* Unit with notched set screw as standard.



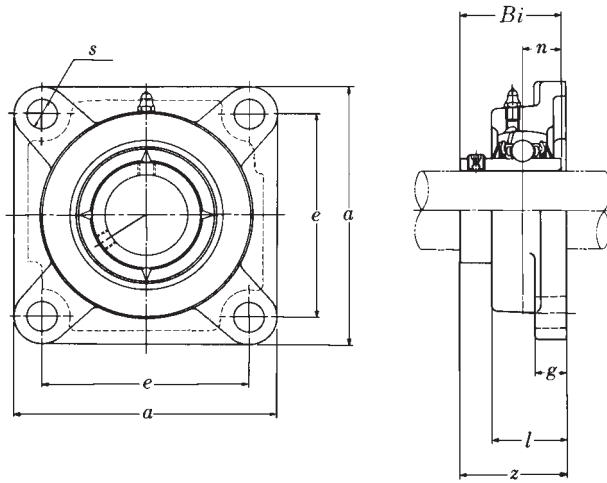
Units: **Millimeters**  
**INCHES**



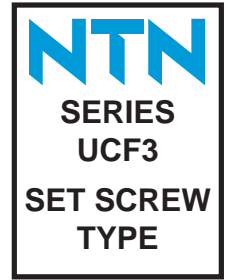
### FLANGED UNITS - PRESSED CAST HOUSING (FOUR BOLT)

Shaft Dia.	Complete Flanged Unit Number	Nominal Dimensions								Bolt Size	Housing Number	Bearing Number	Basic Load Ratings (lbs)	
		a	e	g	l	s	z	Bi	n				Dynamic C	Static C <sub>0</sub>
25 7/8 1 5/16 1	UCF305D1 UCF305-014T UCF305-015T UCF305-100T	110 4 11/32	80 3 5/32	13 1/2	29 1 5/32	16 5/8	39 1 17/32	38 1.496	15 .591	M14 1/2	F305D1 F305T F305T F305T	UC305D1 UC305-014D1 UC305-015D1 UC305-100D1	4,750	2,460
30 1 1/8 1 3/16	UCF306D1 UCF306-102T UCF306-103T	125 4 29/32	95 3 3/4	15 1 1/2	32 1 1/4	16 5/8	44 1 47/64	43 1.693	17 .669	M14 1/2	F306D1 F306T F306T	UC306D1 UC306-102D1 UC306-103D1	6,000	3,400
35 1 1/4 1 5/16 1 3/8 1 7/16	UCF307D1 UCF307-104T UCF307-105T UCF307-106T UCF307-107T	135 5 5/16	100 3 15/16	16 5/8	36 1 13/32	19 3/4	49 1 59/64	48 1.890	19 .748	M16 5/8	F307D1 F307T F307T F307T F307T	UC307D1 UC307-104D1 UC307-105D1 UC307-106D1 UC307-107D1	7,500	4,300
40 1 1/2	UCF308D1 UCF308-108T	150 5 29/32	112 4 13/32	17 1 1/4	40 1 9/16	19 3/4	56 2 13/64	52 2.047	19 .748	M16 5/8	F308D1 F308T	UC308D1 UC308-108D1	9,150	5,400
45 1 5/8 1 11/16 1 3/4	UCF309D1 UCF309-110T UCF309-111T UCF309-112T	160 6 5/16	125 4 29/32	18 2 3/32	44 1 23/32	19 3/4	60 2 23/64	57 2.244	22 .866	M16 5/8	F309D1 F309T F309T F309T	UC309D1 UC309-110D1 UC309-111D1 UC309-112D1	11,900	7,200
50 1 7/8 1 15/16	UCF310D1 UCF310-114T UCF310-115T	175 6 7/8	132 5 3/16	19 3/4	48 1 7/8	23 29/32	67 2 41/64	61 2.402	22 .866	M20 3/4	F310D1 F310T F310T	UC310D1 UC310-114D1 UC310-115D1	13,900	8,600
55 2 2 1/8 2 3/16	UCF311D1 UCF311-200T UCF311-202T UCF311-203T	185 7 3/32	140 5 1/2	20 29/32	52 2 1/16	23 29/32	71 2 51/64	66 2.598	25 .984	M20 3/4	F311D1 F311T F311T F311T	UC311D1 UC311-200D1 UC311-202D1 UC311-203D1	16,100	10,100
60 2 1/4 2 3/8 2 7/16	UCF312D1 UCF312-204T UCF312-206T UCF312-207T	195 7 11/16	150 5 29/32	22 7/8	56 2 7/32	23 29/32	78 3 5/64	71 2.795	26 1.024	M20 3/4	F312D1 F312T F312T F312T	UC312D1 UC312-204D1 UC312-206D1 UC312-207D1	18,400	11,700
65 2 1/2	UCF313D1 UCF313-208T	208 8 3/16	166 6 17/32	22 7/8	58 2 9/32	23 29/32	78 3 5/64	75 2.953	30 1.181	M20 3/4	F313D1 F313T	UC313D1 UC313-208D1	20,800	13,400
70 2 11/16 2 3/4	UCF314D1 UCF314-211T UCF314-212T	226 8 29/32	178 7	25 3 1/32	61 2 13/32	25 63/64	81 3 3/16	78 3.071	33 1.299	M22 7/8	F314D1 F314T F314T	UC314D1 UC314-211D1 UC314-212D1	23,400	15,300
75 2 15/16 3	UCF315D1 UCF315-215T UCF315-300T	236 9 9/32	184 7 1/4	25 3 1/32	66 2 19/32	25 63/64	89 3 1/2	82 3.228	32 1.260	M22 7/8	F315D1 F315T F315T	UC315D1 UC315-215D1 UC315-300D1	25,500	17,400
80 3 1/8 3 3/16	UCF316D1 UCF316-302T UCF316-303T	250 9 27/32	196 7 23/32	27 1 1/16	68 2 11/16	31 1 7/32	90 3 39/64	86 3.386	34 1.339	M27 1	F316D1 F316T F316T	UC316D1 UC316-302D1 UC316-303D1	27,600	19,500

Continued on next page.



Units: **Millimeters**  
**INCHES**



### FLANGED UNITS - PRESSED CAST HOUSING (FOUR BOLT)

Shaft Dia.	Complete Flanged Unit Number	Nominal Dimensions								Bolt Size	Housing Number	Bearing Number	Basic Load Ratings (lbs)	
		a	e	g	l	s	z	Bi	n				Dynamic C	Static C <sub>0</sub>
85 3 1/4	UCF317D1 UCF317-304T	260 10 1/4	204 8 1/2	27 1 1/16	74 2 29/32	31 1 7/32	100 3 15/16	96 3.780	40 1.575	M27 1	F317D1 F317T	UC317D1 UC317-304D1	29,800	21,800
90 3 7/16 3 1/2	UCF318D1 UCF318-307T UCF318-308T	280 11 1/2	216 8 1/2	30 1 3/16	76 3	35 1 3/8	100 3 15/16	96 3.780	40 1.575	M30 1 1/8	F318D1 F318T F318T	UC318D1 UC318-307D1 UC318-308D1	32,000	24,100
95 3 3/4	UCF319D1 UCF319-312T	290 11 13/32	228 8 31/32	30 1 3/16	94 3 11/16	35 1 3/8	121 4 9/64	103 4.055	41 1.614	M30 1 1/8	F319D1 F319T	UC319D1 UC319-312D1	34,500	26,600
100 3 15/16 4	UCF320D1 UCF320-315T UCF320-400T	310 12 7/32	242 9 17/32	32 1 1/4	94 3 11/16	38 1 1/2	125 4 59/64	108 4.252	42 1.654	M33 1 1/4	F320D1 F320T F320T	UC320D1 UC320-315D1 UC320-400D1	39,000	31,500
105	UCF321D1	310	242	32	94	38	127	112	44	M33	F321D1	UC321D1	41,500	34,500
110	UCF322D1	340	266	35	96	41	131	117	46	M36	F322D1	UC322D1	46,000	40,500
120	UCF324D1	370	290	40	110	41	140	126	51	M36	F324D1	UC324D1	46,500	41,500
130	UCF326D1	410	320	45	115	41	146	135	54	M36	F326D1	UC326D1	51,500	48,000
140	UCF328D1	450	350	55	125	41	161	145	59	M36	F328D1	UC328D1	57,000	55,500